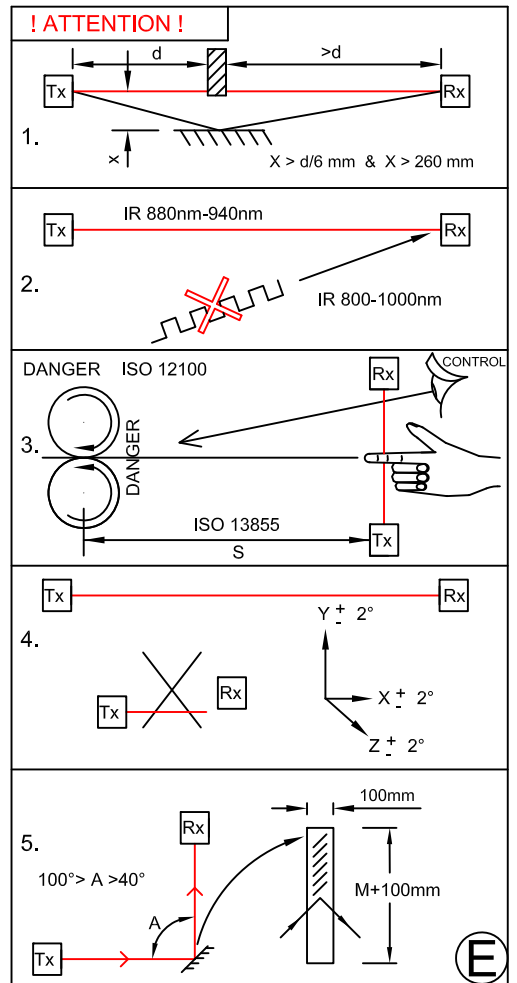
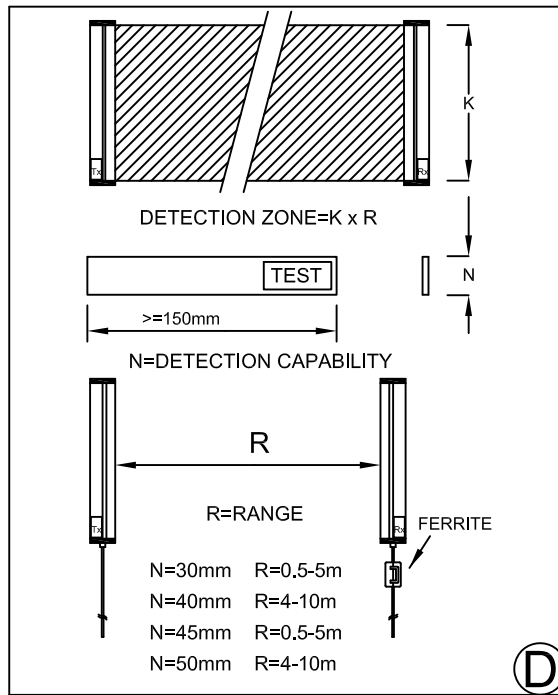
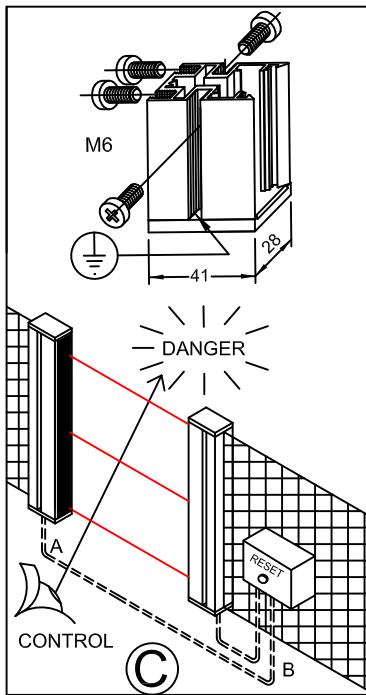
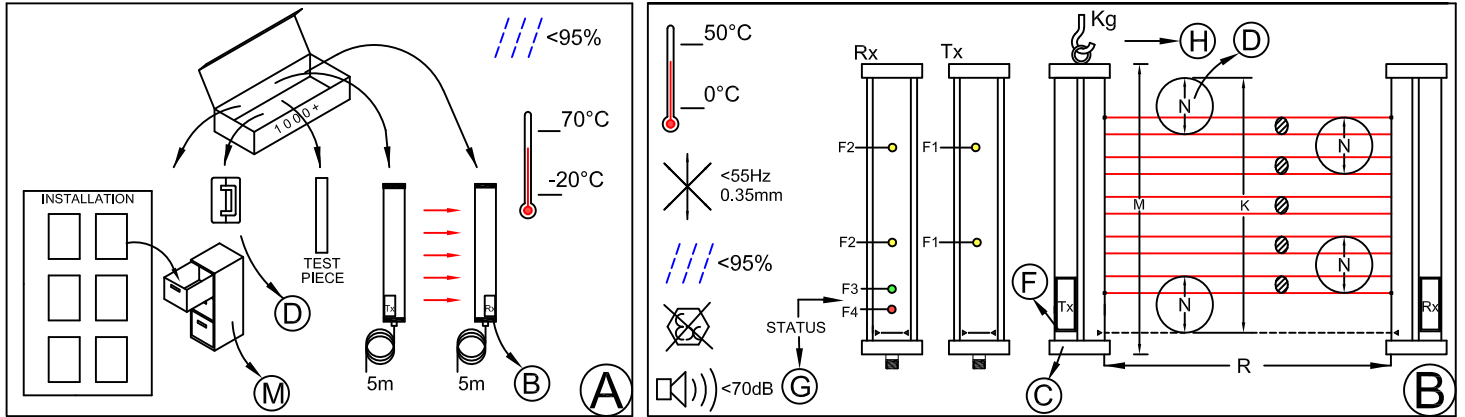


INSTALLATION

SMARTSCAN I000+ SERIES SAFETY LIGHT CURTAIN

CDI009B/231220



SMARTSCAN

2F, No.5, 10th Road, Taichung Industrial park,
Taichung City, Taiwan R.O.C.
www.SMARTSCAN.COM.TW

MODEL 012-***T
S.N. *****
R *****
N ***
K ***
T 20mS

IEC61496-1 Type 2
IEC61496-2 Type 2
IEC62061 SIL 1
ISO13849-1 PL c

IP 65
YEAR 2020
24V DC 0.2A

CE **RX**

SMARTSCAN

2F, No.5, 10th Road, Taichung Industrial park,
Taichung City, Taiwan R.O.C.
www.SMARTSCAN.COM.TW

MODEL 012-***T
S.N. *****
R *****
N ***
K ***
T 20mS

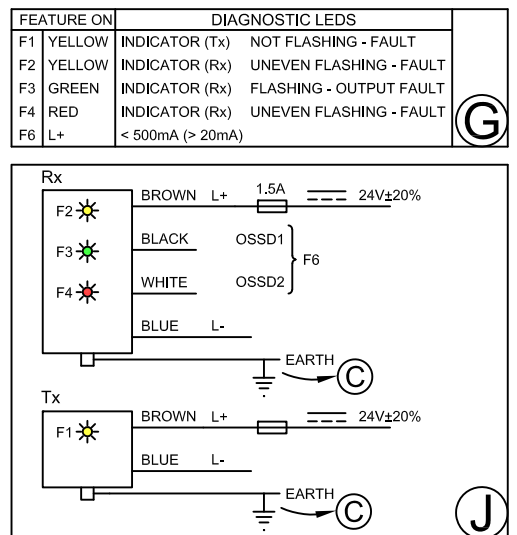
IEC61496-1 Type 2
IEC61496-2 Type 2
IEC62061 SIL 1
ISO13849-1 PL c

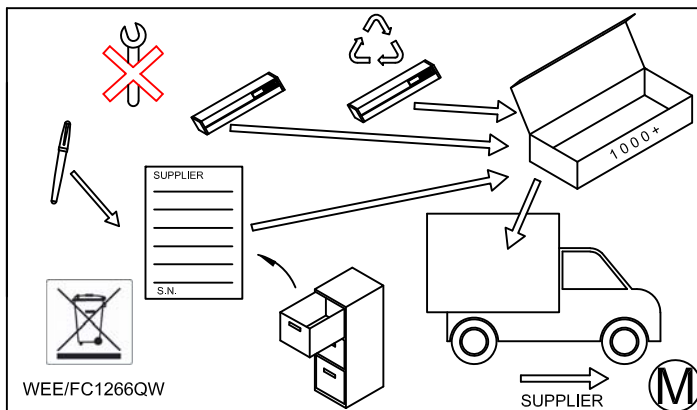
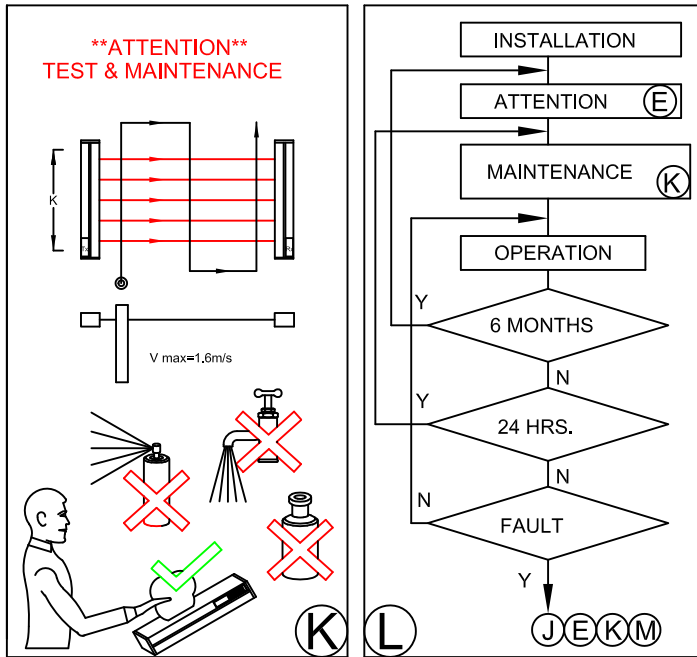
IP 65
YEAR 2020
24V DC 0.2A

CE **TX**

MODEL	K (mm)	M (mm)	Kg.	MODEL	K (mm)	M (mm)	Kg.
N=30mm				N=40mm			
012-098T	180	195	0.3	012-099T	190	195	0.3
012-100T	330	345	0.5	012-101T	340	345	0.5
012-102T	480	495	0.7	012-103T	490	495	0.7
012-104T	630	645	0.8	012-105T	640	645	0.8
012-106T	780	795	0.9	012-107T	790	795	0.9
012-108T	930	945	1.1	012-109T	940	945	1.1
012-110T	1080	1095	1.3	012-111T	1090	1095	1.3
012-112T	1230	1245	1.5	012-113T	1240	1245	1.5
012-114T	1380	1395	1.7	012-115T	1390	1395	1.7
012-116T	1530	1545	1.9	012-117T	1540	1545	1.9
012-118T	1680	1695	2.1	012-119T	1690	1695	2.1
012-120T	1830	1845	2.3	012-121T	1840	1845	2.3

MODEL	K (mm)	M (mm)	Kg.	MODEL	K (mm)	M (mm)	Kg.
N=45mm				N=50mm			
012-404T	205	204	0.3	012-504T	210	204	0.3
012-406T	285	284	0.4	012-506T	290	284	0.4
012-408T	365	364	0.5	012-508T	370	364	0.5
012-410T	445	444	0.6	012-510T	450	444	0.6
012-412T	525	524	0.7	012-512T	530	524	0.7
012-414T	605	604	0.8	012-514T	610	604	0.8
012-416T	685	684	0.9	012-516T	690	684	0.9
012-420T	845	844	1.1	012-520T	850	844	1.1
012-424T	1005	1004	1.3	012-524T	1010	1004	1.3
012-428T	1165	1164	1.5	012-528T	1170	1164	1.5
012-432T	1325	1324	1.7	012-532T	1330	1324	1.7
012-436T	1485	1484	1.9	012-536T	1490	1484	1.9
012-440T	1645	1644	2.1	012-540T	1650	1644	2.1
012-444T	1805	1804	2.3	012-544T	1810	1804	2.3





SMARTSCAN CD1009B/231220

EC Declaration of Conformity

Product: Smartscan 1000 plus Light Curtain

Smartscan TW Limited, 2F, No.5, 10th Road, Taichung Industrial park, Taichung City, Taiwan R.O.C.

Declares that the safety component(s) described:
Serial Numbers: Between 310 000 - 329 999 and 330 000 - 399 999

Fulfills the following safety function: Electro-sensitive protective equipment – Active Opto-electronic Protective Device (safety light curtain).

Conforms to the following Directives:

Machinery Directive	2006/42/EC
Electromagnetic Conformity Directive	2014/30/EU
Low Voltage Directive	2014/35/EU

Complies with the relevant requirements of the following Standards:

IEC 61496-1, IEC 61496-2, EN IEC 61496-1, EN IEC 61496-2	Type 2
IEC 62061, EN 62061	SIL 1
ISO 13849-1, EN ISO 13849-1	PL c

Uses the following standards:
EN ISO 12100, EN 60204-1, IEC 60204-1

Complies with the examples to which the EC type examination certificate below relates, and is in conformity with the protection requirements of Council Directive 2014/30/EU, as amended, on the approximation of the laws of the Member States relating to electromagnetic compatibility.

The component is of a type listed in Annex IV of the Machinery Directive. Examples have been submitted for type examination by the approved body identified below.

Safenet Certification Services Ltd. Notified Body Number: 2805

Address 204 Roselawn House, National Technology Park, Limerick, V94 6R68, Ireland.

Certificate No. 184511220a and 184511220b

Signed: Date: 23. 12. 2020

Title: Technical Director

GLOSSARY	ORDBOG	GLOSSAR	BIBLIOGRAFIE	GLOSSAIRE	GLOSSARIO	GLOSARIO	ORDLISTA
English	Dansk	Deutsche	Dutch	Francais	Italiano	Espagnol	Svenska
attention	achtung	attentie	attention	attenzione	atencion	uppmärksamhet	uppmärksamhet
beams	stråle	lichtstalen	stralen	faisceaux	raggi	vigas	stralar
black	sort	schartz	zwart	noir	nero	negro	svart
blue	blå	blau	blauw	bleu	blu	azur	blå
brown	brun	braun	bruin	marron	marrone	moreno	brun
control	kontrol	steuern	besturing	contrôle	controllo	controlan	kontroll
danger	fare	gefahr	gevaar	danger	pericolo	peligro	fara
detection capability	afastnings mulighed	abfragungsfähigkeit	detectievermogen	capacité de détection	possibilita de rilevazione	capacidad de la deteccion	upplösning
detection zone	beskyttelses zone	abfragungsfähigkeit	detectie zone	Zone de détection	area de rilevamento	zona de deteccion	skyddsfallt
diagnostic							
fault	fejl	störung	fout	défaut	guasto	incidente	fel
feature	muligheder	eigenschaft	eigenschap	dispositif	caratteristica	caracteristica	egenskaper
flashing							
green	grøn	grun	groen	vert	verde	verde	grøn
indicator	indikation	anzeige	indicator	indicateur	indicatore	indicador	indikering
installation	installation	installation	installatie	installation	installazione	instalacion	installation
light curtain	lystæppe	lichtschranken	lichtscherm	barrière	barriere	bammer de seguridad	ljus barrier
model	model	typ	model	modèle	modello	modelo	modell
months	måned	monate	maanden	mois	mesi	meses	manader
not flashing							
operation	operation	operation	in bedrijf	opération	funzionamento	operacion	operation
red	rød	rotes	rood	rouge	rosso	rojo	rod
safety	sikkerhed	sicherheit	veiligheid	securité	sigurezza	seguridad	sakerhet
status	status	rand	status	statut	stato	estado	status
supplier	leverandør	lieferant	leverancier	fournisseur	forniture	surditor	leverantor
test piece							
uneven flashing							
white	hvid	weis	wit	blanc		blanca	
yellow	gul	gelb	geel	jaune	giallo	amarillo	gul