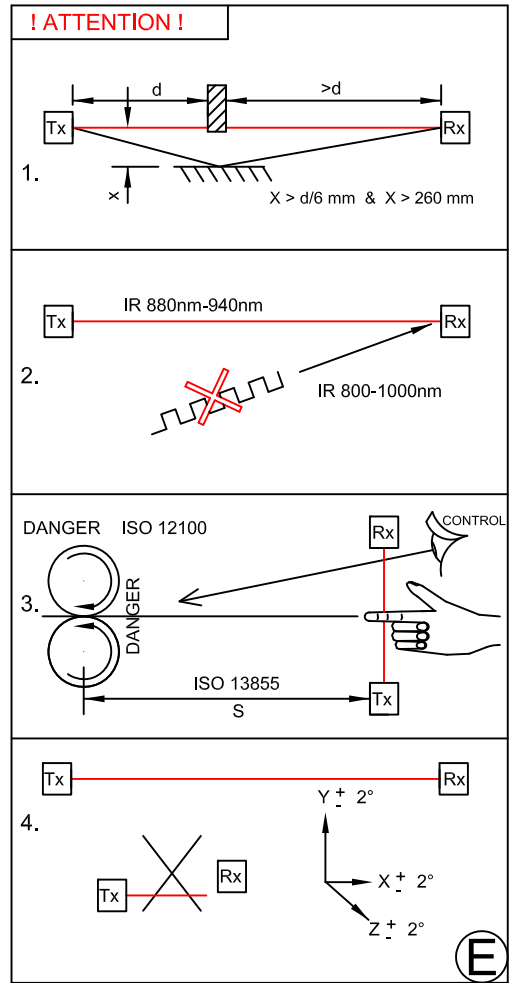
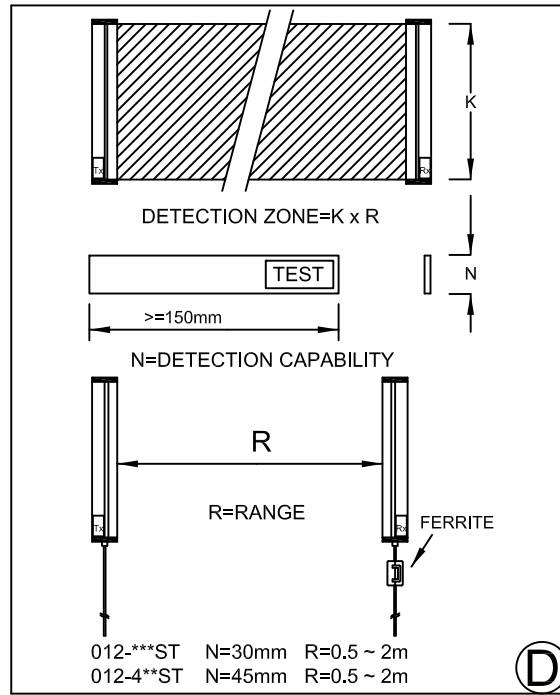
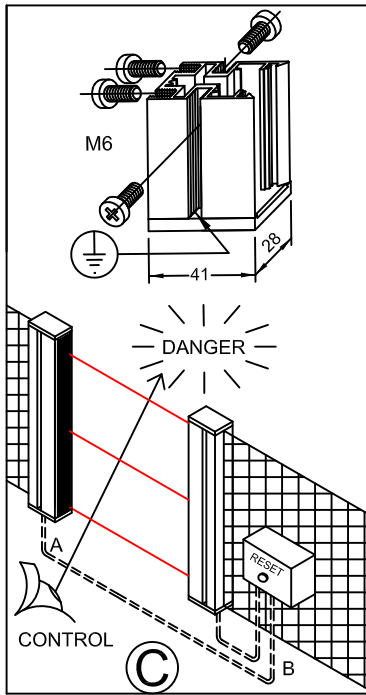
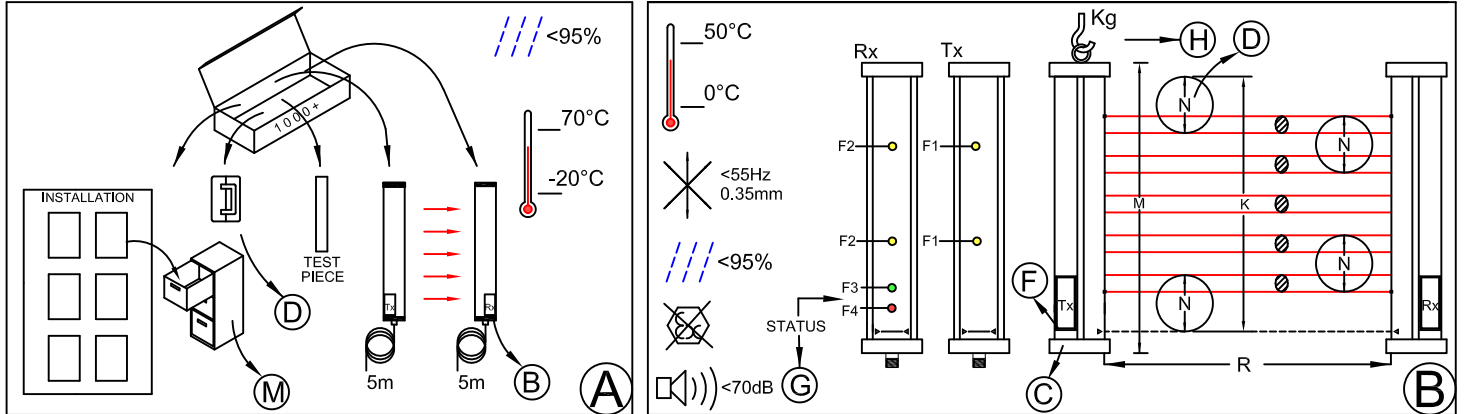


INSTALLATION

SMARTSCAN 1000+ SERIES SAFETY LIGHT CURTAIN WITH SHORT OPERATING DISTANCE MODEL

CDI007B/23I220



SMARTSCAN

2F, No.5, 10th Road, Taichung Industrial park, Taichung City, Taiwan R.O.C. WWW.SMARTSCAN.COM.TW

MODEL 012-***ST

S.N. *****

R *****

N ***

K ***

T 20mS

IEC61496-1 Type 2

IEC61496-2 Type 2

IEC62061 SIL 1

ISO13849-1 PL c

IP 65

YEAR 2020

24V DC 0.2A

CE RX

SMARTSCAN

2F, No.5, 10th Road, Taichung Industrial park, Taichung City, Taiwan R.O.C. WWW.SMARTSCAN.COM.TW

MODEL 012-***ST

S.N. *****

R *****

N ***

K ***

T 20mS

IEC61496-1 Type 2

IEC61496-2 Type 2

IEC62061 SIL 1

ISO13849-1 PL c

IP 65

YEAR 2020

24V DC 0.2A

CE TX

F

FEATURE ON	DIAGNOSTIC LEDS		
F1	YELLOW	INDICATOR (Tx)	NOT FLASHING - FAULT
F2	YELLOW	INDICATOR (Rx)	UNEVEN FLASHING - FAULT
F3	GREEN	INDICATOR (Rx)	FLASHING - OUTPUT FAULT
F4	RED	INDICATOR (Rx)	UNEVEN FLASHING - FAULT
F6	L+	< 500mA (> 20mA)	

G

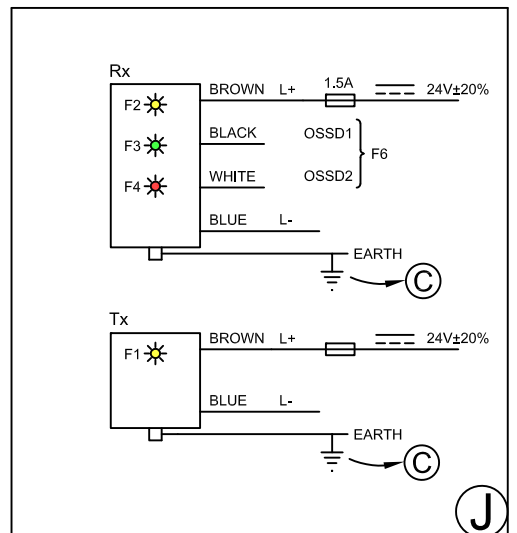
MODEL	N=30mm	K (mm)	M (mm)	Kg.	MODEL	N=45mm	K (mm)	M (mm)	Kg.
012-098ST	180	195	0.3		012-404ST	205	204	0.3	
012-100ST	330	345	0.5		012-406ST	285	284	0.4	
012-102ST	480	495	0.7		012-408ST	365	364	0.5	
012-104ST	630	645	0.8		012-410ST	445	444	0.6	
012-106ST	780	795	0.9		012-412ST	525	524	0.7	
012-108ST	930	945	1.1		012-414ST	605	604	0.8	
012-110ST	1080	1095	1.3		012-416ST	685	684	0.9	
012-112ST	1230	1245	1.5		012-420ST	845	844	1.1	
012-114ST	1380	1395	1.7		012-424ST	1005	1004	1.3	
012-116ST	1530	1545	1.9		012-428ST	1165	1164	1.5	
012-118ST	1680	1695	2.1		012-432ST	1325	1324	1.7	
012-120ST	1830	1845	2.3		012-436ST	1485	1484	1.9	
					012-440ST	1645	1644	2.1	
					012-444ST	1805	1804	2.3	

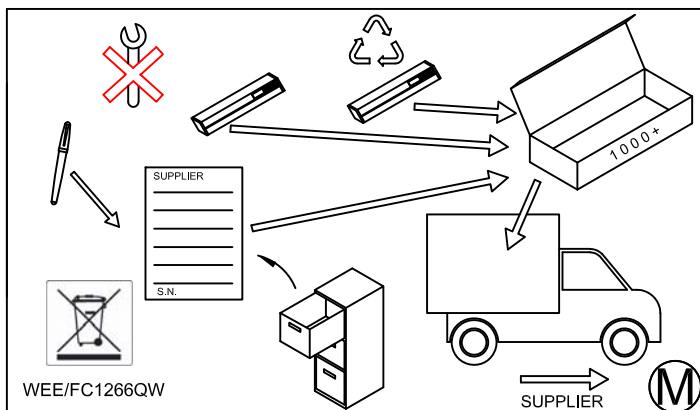
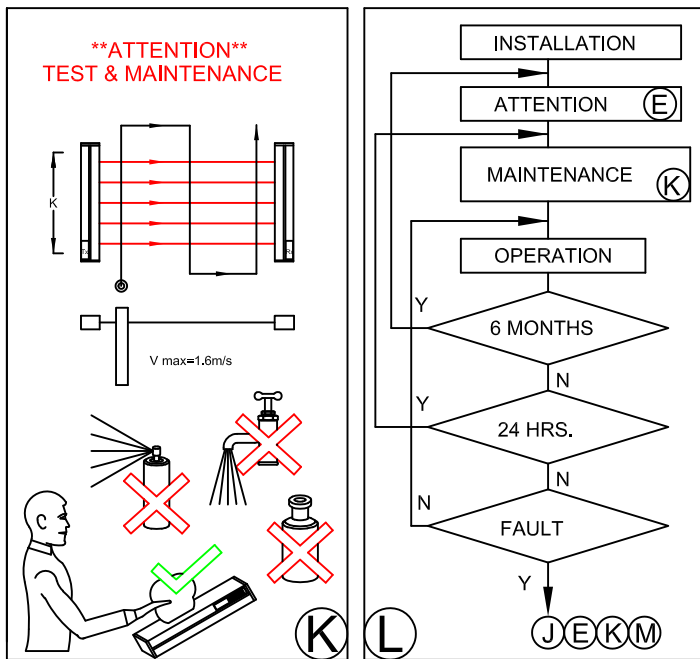
H

NOTE: Model name suffix S, mean is short distances type.
Sensing range = 0.5 ~ 2m

Model name suffix T, mean is M12 connector.

J





SMARTSCAN CD1007B/231220

EC Declaration of Conformity

Product: Smartscan 1000 plus Light Curtain with short operating distance model
 Smartscan TW Limited, 2F, No.5, 10th Road, Taichung Industrial park, Taichung City, Taiwan R.O.C.

Declares that the safety component(s) described:
 Serial Numbers: Between 310 000 - 329 999 and 330 000 – 399 999

Fulfills the following safety function: Electro-sensitive protective equipment – Active Opto-electronic Protective Device (safety light curtain).

Conforms to the following Directives:

Machinery Directive	2006/42/EC
Electromagnetic Conformity Directive	2014/30/EU
Low Voltage Directive	2014/35/EU

Complies with the relevant requirements of the following Standards:

IEC 61496-1, IEC 61496-2, EN IEC 61496-1, EN IEC 61496-2	Type 2
IEC 62061, EN 62061	SIL 1
ISO 13849-1, EN ISO 13849-1	PL c

Uses the following standards:
 EN ISO 12100, EN 60204-1, IEC 60204-1

Complies with the examples to which the EC type examination certificate below relates, and is in conformity with the protection requirements of Council Directive 2014/30/EU, as amended, on the approximation of the laws of the Member States relating to electromagnetic compatibility.

The component is of a type listed in Annex IV of the Machinery Directive. Examples have been submitted for type examination by the approved body identified below.

Safenet Certification Services Ltd. Notified Body Number: 2805

Address 204 Roselawn House, National Technology Park, Limerick, V94 6R68, Ireland.

Certificate No. 1845111220a and 1845111220b

Signed: *E. Wang* Date: 23. 12. 2020

Title: Technical Director

GLOSSARY	ORDBOG	GLOSSAR	BIBLIOGRAFIE	GLOSSAIRE	GLOSSARIO	GLOSARIO	ORDLISTA
English	Dansk	Deutsche	Dutch	Francais	Italiano	Espagnol	Svenska
attention	achtung	attention	attention	attenzione	atencion	uppmärksamhet	uppmärksamhet
beams	stråle	lichtstalen	stralen	faisceaux	raggi	vigas	stralar
black	sort	schwarz	zwart	noir	nero	negro	svart
blue	blå	blau	blauw	bleu	blu	azur	blå
brown	brun	braun	bruin	marron	marrone	moreno	brun
control	kontrol	steuern	besturing	contrôle	controllo	controlan	kontroll
danger	fare	gefahr	gevaar	danger	pericolo	peligro	fara
detection capability	aftastnings mulighed	abfragungsfähigkeit	detectievermogen	capacité de détection	possibilità di rilevazione	capacidad de la detección	upplösning
detection zone	beskyttelses zone	abfragungsfähigkeit	detectie zone	Zone de détection	area di rilevamento	zona de detección	skyddsfall
diagnostic							
fault	fejl	störung	fout	défaut	guasto	incidente	fel
feature	muligheder	eigenschaft	eigenschap	dispositif	caratteristica	característica	egenskaper
flashing							
green	grøn	grün	groen	vert	verde	verde	grön
indicator	indikation	anzeige	indicator	indicateur	indicatore	indicador	indikering
installation	installation	installation	installatie	installation	installazione	instalacion	installation
light curtain	lystæppe	lichtschranken	lichtscherm	barrière	barriere	bamper de seguridad	ljus barrier
model	model	typ	model	modèle	modello	modelo	modell
months	måned	monate	maanden	mois	mesi	meses	manader
not flashing							
operation	operation	operation	in bedrijf	opération	funzionamento	operacion	operation
red	rød	rot	rood	rouge	rosso	rojo	rod
safety	sikkerhed	sicherheit	veiligheid	securité	sigurezza	seguridad	sakerhet
status	status	rand	status	statut	stato	estado	status
supplier	leverandør	lieferant	leverancier	fournisseur	forniture	surditor	leverantor
test piece							
uneven flashing							
white	hvid	weis	wit	blanc		blanca	
yellow	gul	gelb	geel	jaune	giallo	amarillo	gul